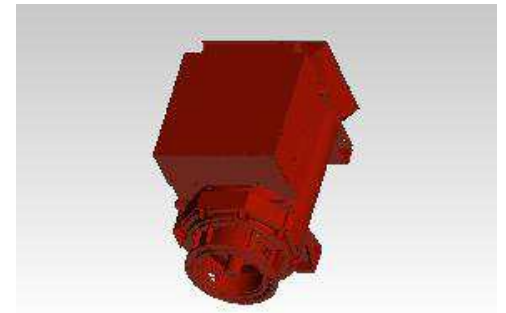




**Part Number: A063V071**

|                         |                        |                       |                        |
|-------------------------|------------------------|-----------------------|------------------------|
| Change Notice           | CN00030625             | Alternates            |                        |
| Manufacturer Part (MEP) | No                     | Usage                 | Production and Service |
| Release Phase Code      | Production (P)         | Drawing Specification | DS47021322             |
| External Regulations    | No External Regulation |                       |                        |



3D image provided when available for visual reference only.

**Associated Specifications**

| Number     | Name                   | Type                      | Category               | Sub-Category  |
|------------|------------------------|---------------------------|------------------------|---|
| ESA030B356 | SPECIFICATION,MATERIAL | Engineering Specification | Material Specification | Prohibited and Restricted <br>Prohibited and Restricted |

**Drawing Revision Information**

| Description of Change(s)                               |
|--|
| 1) ZONE C9: HOLE DIAMETER 24 WAS 20.<br>2) ADD NOTE 2. |

**Drawing Authorization**

|          |                      |      |           |
|----------|----------------------|------|-----------|
| Drafter  | Silviu-Ionut Nanau   | Date | 05MAR2021 |
| Checker  | Daniel Ciochina      | Date | 05MAR2021 |
| Approver | NO APPROVAL REQUIRED | Date |           |

Document Generated: 05MAR2021 12:47 GMT